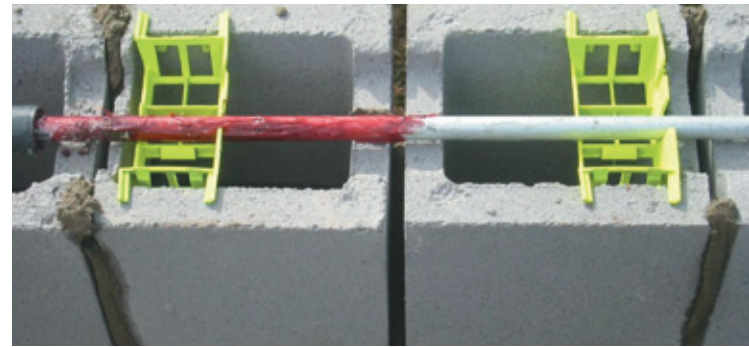


Bar chairs for Reinforced Masonry



What is BLOCKAID?

- BLOCKAID is an easy to use plastic bar chair that is fitted into the top of the masonry block to securely locate the vertical and horizontal reinforcing steel within the masonry block wall.
- Accurate positioning of the steel ensures that the wall meets the engineer's specification.
- It is vital to the structural strength of a masonry block wall that the reinforcing steel is held in the correct location while the wall is built, especially during the final construction process when the wall is core-filled with concrete.
- Failure to correctly locate the reinforcing steel in masonry walls is a leading cause of structural issues that can be eliminated by using BLOCKAID.

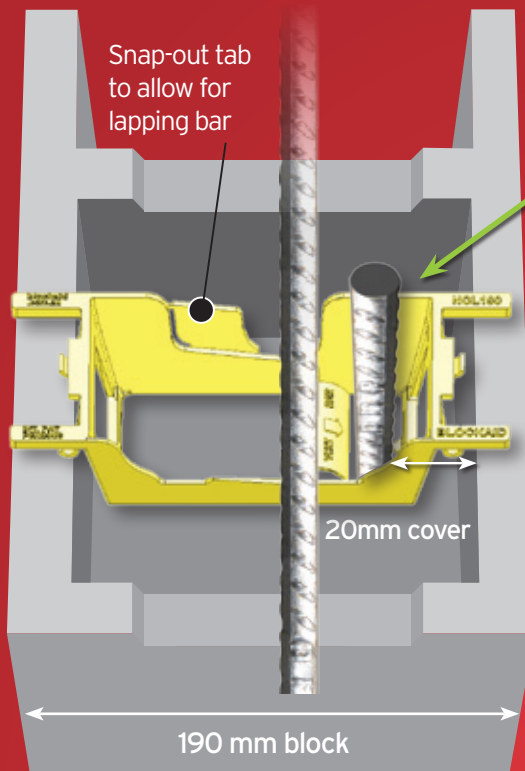
What does BLOCKAID achieve?

- BLOCKAID ensures the accurate location of the horizontal and vertical reinforcing steel and control joint dowels during the construction of masonry block walls to meet the design specification.
- BLOCKAID significantly reduces construction time by facilitating quick and easy location of reinforcing steel during the construction of masonry block walls, removing the need for tying the steelwork.
- BLOCKAID is fully compatible with existing core filling practices.

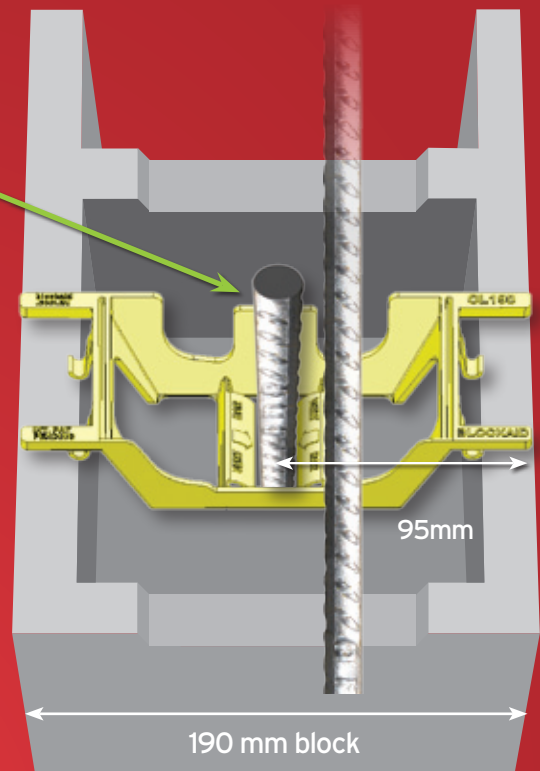
'Ensures correct location of reinforcing steel in masonry block walls!'



Non-Centrally Located Reinforcement **BANCL190 BLOCKAID**



Centrally Located Reinforcement **BACL190 BLOCKAID**



Plan view of the vertical steel passing through BLOCKAID and the horizontal steel being located by BLOCKAID.

BLOCKAID - Plastic Bar Chair for Masonry Blockwork

Benefits:

- Accurate positioning of reinforcement
- Ensures adequate grout cover
- Aligns control joint dowels
- Saves construction time
- Ensures construction meets specification

Applications:

- Retaining walls
- Detention Tanks
- Multi-storey basement walls
- Load bearing walls
- Petrol storage containment walls
- Any reinforced masonry block walls

Specifications:

Box weight:	5.8 kg
Box dimensions:	500 x 350 x 300 mm
Quantity per box:	300 for 190 mm, 200 for 290 mm
Product code:	BANCL290 - suits 290 mm masonry blocks, non-centrally located reo
	BACL190 - suits 190 mm masonry blocks, centrally located reo
	BANCL190 - suits 190 mm masonry blocks, non-centrally located reo

International Publication Numbers WO 2006/032100 A1 (Publication date 30 March 2006), WO 2009/012519 A1 (Publication date 29 January 2009)

For more information contact OneSteel Reinforcing
or visit the BlockAid® Website at www.blockaid.com.au
you can also view the BlockAid® video at www.reinforcing.tv
or visit our website www.reinforcing.com

New South Wales
02 9794 1000
ACT
02 6203 0200
Victoria
03 9207 2200

Queensland
07 3845 5655
South Australia
08 8349 8666
Western Australia
08 6332 3111

Northern Territory
08 8947 0330
Tasmania
03 6273 0300
National
02 8424 9800

